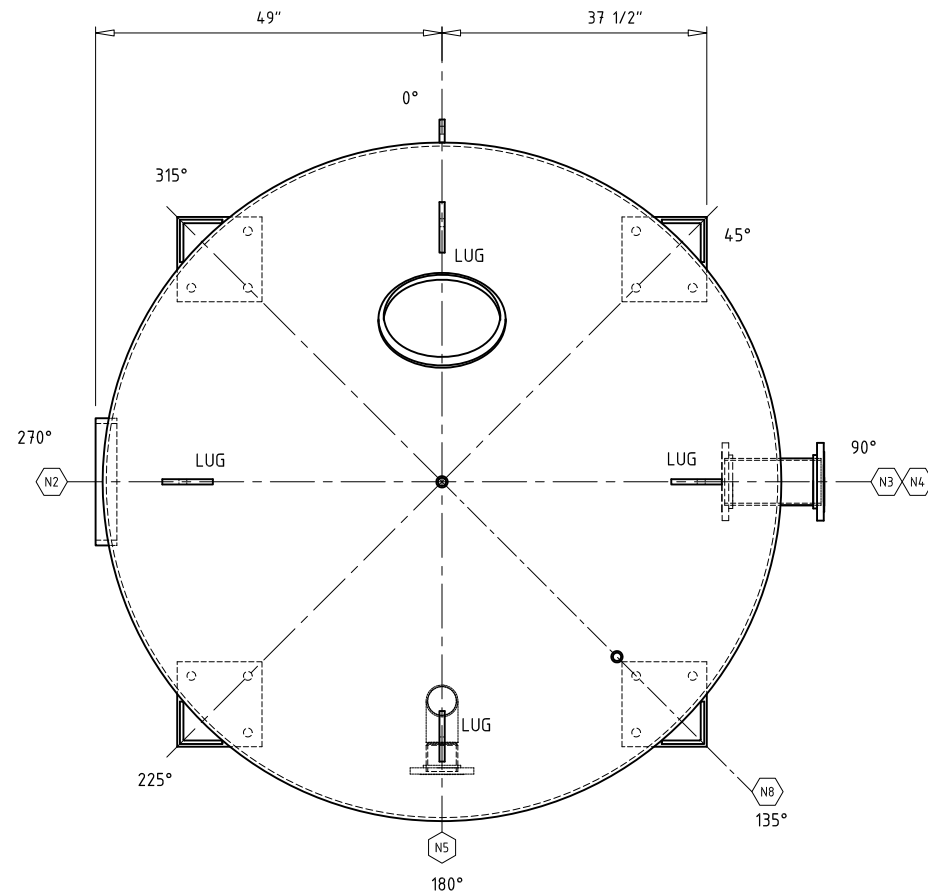
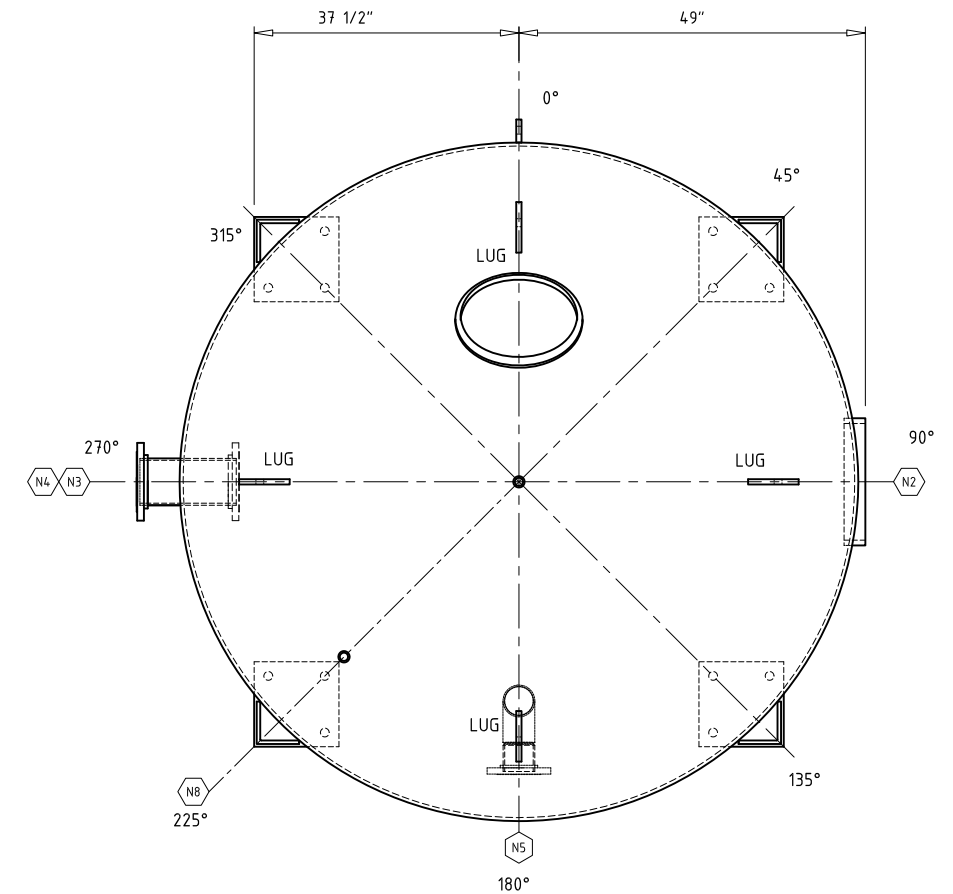


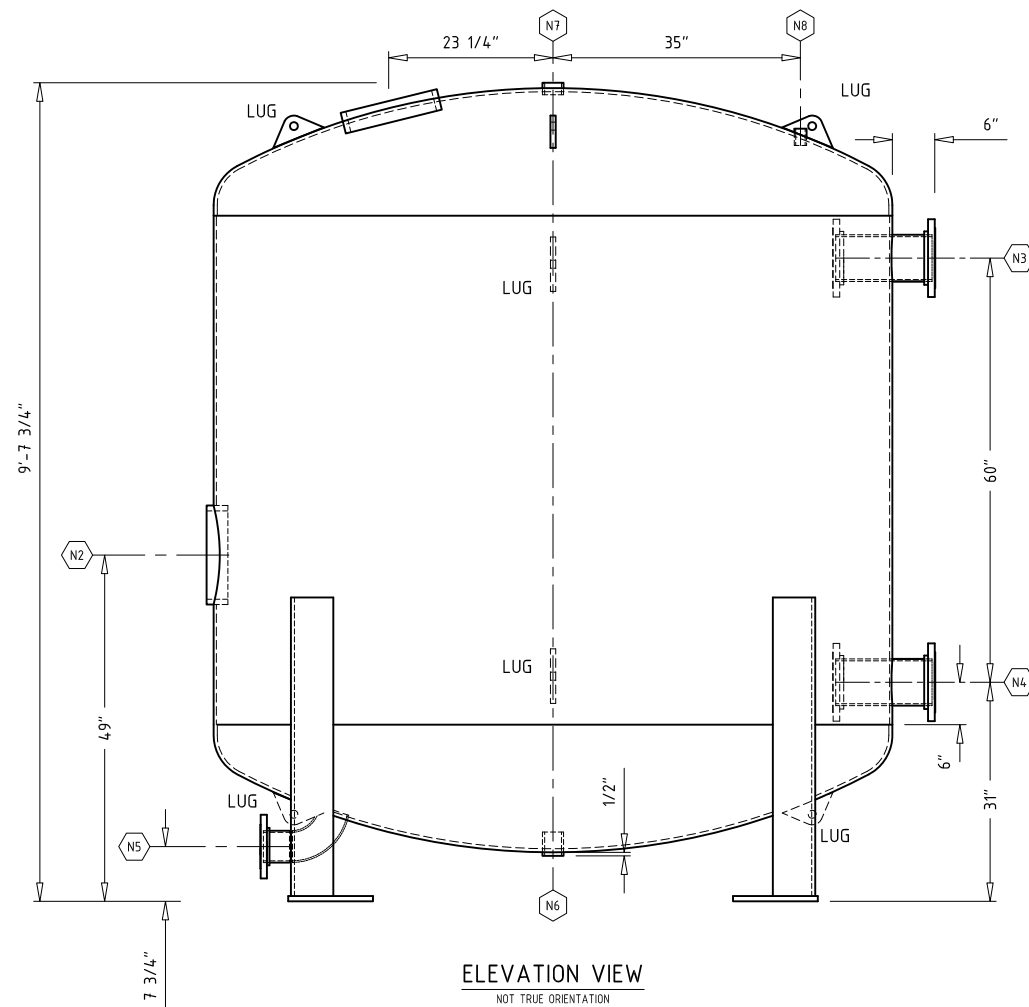
LOWER HEAD
TRUE ORIENTATION



PLAN VIEW UNIT A
TRUE ORIENTATION



PLAN VIEW UNIT B
TRUE ORIENTATION



ELEVATION VIEW
NOT TRUE ORIENTATION

SCHEDULE OF OPENINGS					
Mark	Size	Rating	Type	Qty	Nozzle Description / or Service
N1	12"x16"	N/A	N/A	1	UPPER BED ACCESS
N2	12"x16"	N/A	N/A	1	LOWER INSPECTION PORT
N3	6"	150#	RFSO	1	PROCESS
N4	6"	150#	RFSO	1	PROCESS
N5	4"	150#	RFSO	1	MEDIA DISCHARGE (304SS PIPE)
N6	2"	3000#	EPLG	1	LIQUID DRAIN (304SS FULL THRD COUPLING)
N7	1"	3000#	EPLG	1	VENT (304SS THRD HALF COUPLING)
N8	1"	3000#	EPLG	1	SENSOR (304SS THRD HALF COUPLING)
N9					
N10					
N11					
N12					
N13					
N14					
N15					

VESSEL DESIGN DATA			
Vessel Registration	N/A	Year Built	2011
Vessel Construction	ASME Sec VIII, Div 1, 2010 Edition (Not Stamped)	Vessel Serial Number	TBD
Internal Design Pressure	100 PSIG	Capacity (Volume)	Shell: 294 f33 Heads: 40 f13 each
Internal Design Temperature	150 Deg F.	Package Weight (Empty)	6,450 POUNDS
External Design Pressure	N/A	Weight full of Water	TBD
Operating Pressure	Unknown		
Operating Temperature	75 Deg F. Assumed		
Min. Design Metal Temp.	20 Deg F. AT 75 PSIG	Internal Surface Prep	Sandblast to SSPC-SP10 (2-3 mil profile)
MAWP (New & Cold)	N/A	Internal Coating (GAC Bed)	2 coat SW 646 Macropoxy 14-18 mils DFT
MAWP (Hot & Corroded)	N/A		
Hydrostatic Test Pressure	130 PSIG AT AMBIENT TEMP. / Medium = WATER		
Vessel Shell Material	SA-36 ROLLED PLATE Nom. t. = 0.375"	External Surface Prep	Sandblast to SSPC-SP6
Head Mat'l / Type	SA-36 HOT FORMED Min. t. = 0.5"	External Primer	1 coat SW 646 Macropoxy 4-6 mils DFT
Nozzle Necks and Flanges	SA-106-B SMLS, SA-105, SA-53	External Intermediate	-
Gaskets	Neoprene	External Paint or Coating	1 coat SW Sher-Cryl 3-4 mils DFT
Studs and Nuts	Grade 5	Exterior Color	Hunter Green

tetraSOLV
FILTRATION

PROJECT: GRANULAR ACTIVATED CARBON VESSELS
CARBON UNIT
CUSTOMER: / END USER: SCHRADER ENVIRONMENTAL

DRAWING TITLE: GENERAL & ASSEMBLY

JOB #	TAG #	CUST PO
-	-	-
DWN BY: KB (IFD)	DATE: SEP 8/11	Qty Req: -
CHK BY: TB (IFD)	DATE: SEP 8/11	SCALE: NTS
APP BY: EP (TF)	DATE: SEP 8/11	DWG # G1
REV: 0		

DESCRIPTION of CHANGE

DWN CHK APP DATE